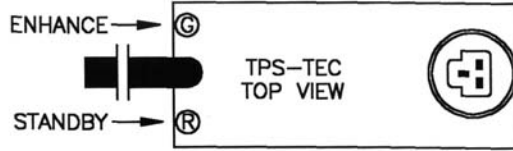
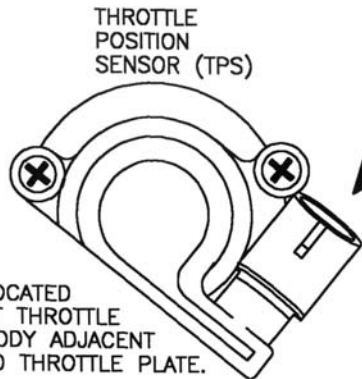


INSTALLATION INSTRUCTIONS

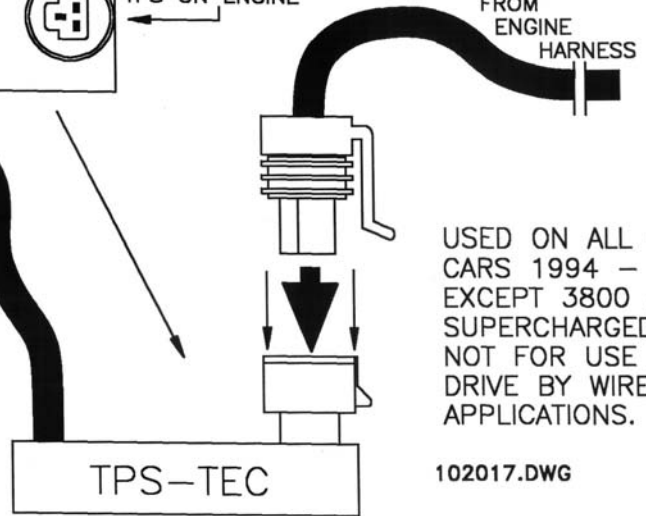
102017 TPS-TEC™ THROTTLE ENHANCER

ALL GM BUILT ENGINES 1993-2003 EXCEPT 3800

TO TEST:
TURN IGNITION TO "ON"
BUT DON'T START CAR.
STANDBY LIGHT SHOULD
BE ON. NOW PRESS
THROTTLE TO FLOOR.
ENHANCE LIGHT SHOULD TURN ON.
DON'T DO THIS WITH ENGINE RUNNING!
IF BOTH LIGHT, UNIT IS READY TO GO.



INSERT EXISTING
PLUG HERE AFTER
UNPLUGGING FROM
TPS ON ENGINE



USED ON ALL GM
CARS 1994 - UP
EXCEPT 3800 AND
SUPERCHARGED.
NOT FOR USE WITH
DRIVE BY WIRE
APPLICATIONS.

102017.DWG

