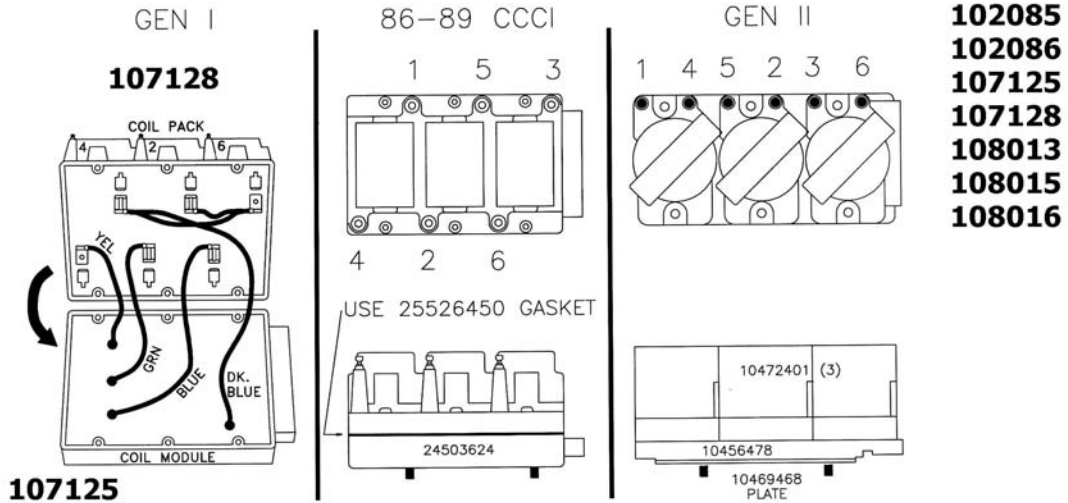
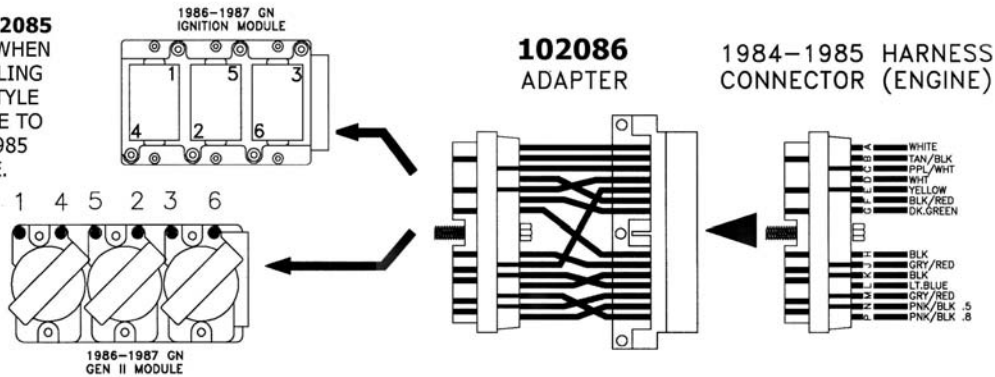


INSTALLATION ILLUSTRATIONS FOR CCI ADAPTERS, CONNECTOR SPLICE ENDS AND COIL/MODULE

102085 • 102086 • 107125 • 107128 • 108013 • 108015 • 108016



USE 102085
PLATE WHEN
INSTALLING
1987 STYLE
MODULE TO
1984-1985
ENGINE.



COPYRIGHT (C) 1995 CASPER'S ELECTRONICS, INC. MUNDELEIN, IL

NOTE: FIRING ORDER MUST CORRESPOND TO NUMBERS EMBOSSED IN
THE 1986-1987 COIL PACK TOP TO ASSURE PROPER FIRING ORDER.

